



Lever Handles

ASSA ABLOY

The global leader in
door opening solutions

ASSA ABLOY Lever Handles

Features & Benefits

ASSA ABLOY

Stainless Steel Lever Handles

Key features:

- Made of SS 304
- 200,000 cycles tested
- Exclusive range

Benefits:

- High corrosion resistance
- High durability
- Choice of Solid and Tubular lever designs

Technical details:

- Door thickness required - 30mm-50mm
- Spindle - 8mm x 8mm
- Suitable for hinged timber, metal doors
- All lever handles come complete with two euro cylinder escutcheons
- Roses are designed to fit back to back and fixing is concealed by the use of a slip on outer rose
- Finish - US32D

The Stainless Steel door furniture range offers a selection of stylish and durable levers on round rose.



Lever Handles - Solid Series

ASSA ABLOY

Solid Stainless
Steel Lever Handle

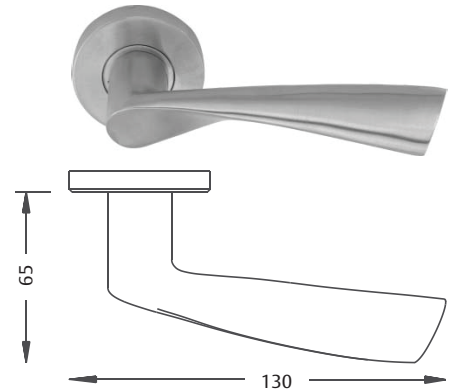
ASL - 010

Model no.: ASL - 010

Description: Solid Lever on Rose

Dimensions: Length - 127mm
Spindle: 8mm x 8mm Straight Spindle Standard
Round Rose: Ø54mm x 8mm

Finish: Satin Stainless Steel - US32D



Solid Stainless
Steel Lever Handle

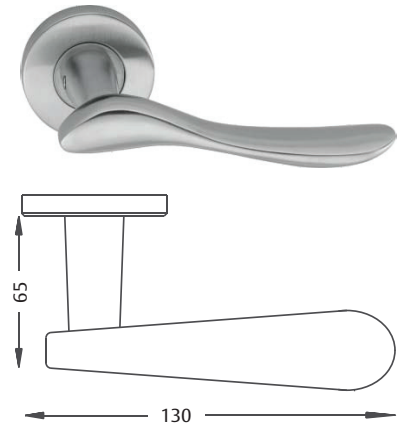
ASL - 020

Model no.: ASL - 020

Description: Solid Lever on Rose

Dimensions: Length - 130mm
Spindle: 8mm x 8mm Straight Spindle Standard
Round Rose: Ø54mm x 8mm

Finish: Satin Stainless Steel - US32D



Solid Stainless
Steel Lever Handle

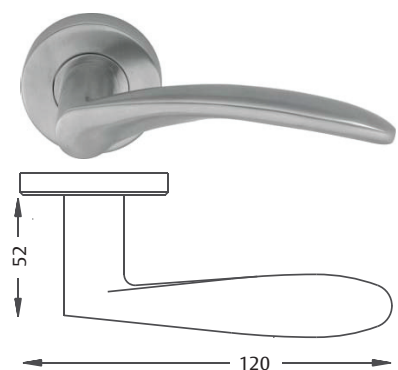
ASL - 030

Model no.: ASL - 030

Description: Lever on Rose

Dimensions: Length - 120mm
Spindle: 8mm x 8mm Straight Spindle Standard
Round Rose: Ø54mm x 8mm

Finish: Satin Stainless Steel - US32D



Lever Handles - Solid Series

ASSA ABLOY

Solid Stainless
Steel Lever Handle

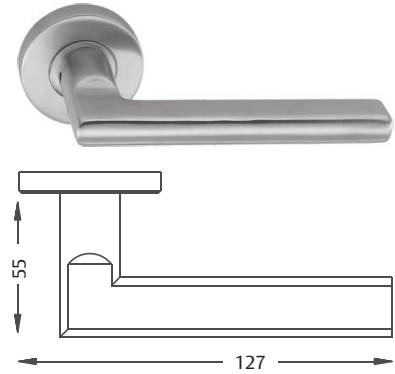
ASL - 040

Model no.: ASL - 040

Description: Solid Lever on Rose

Dimensions: Length - 128mm
Spindle: 8mm x 8mm Straight Spindle Standard
Round Rose: Ø54mm x 8mm

Finish: Satin Stainless Steel - US32D



Solid Stainless
Steel Lever Handle

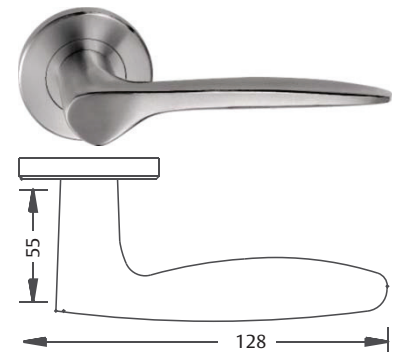
ASL - 050

Model no.: ASL - 050

Description: Solid Lever on Rose

Dimensions: Length - 130mm
Spindle: 8mm x 8mm Straight Spindle Standard
Round Rose: Ø54mm x 8mm

Finish: Satin Stainless Steel - US32D



Solid Stainless
Steel Lever Handle

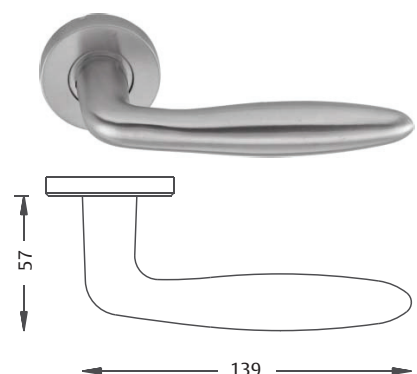
ASL - 060

Model no.: ASL - 060

Description: Solid Lever on Rose

Dimensions: Length - 122mm
Spindle: 8mm x 8mm Straight Spindle Standard
Round Rose: Ø54mm x 8mm

Finish: Satin Stainless Steel - US32D



Lever Handles - Solid Series

ASSA ABLOY

Solid Stainless
Steel Lever Handle

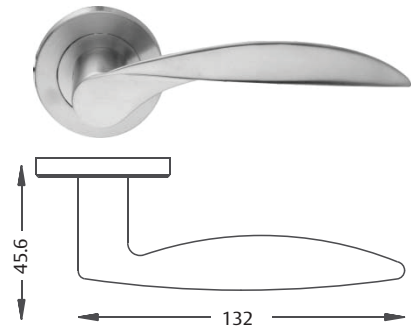
ASL - 070

Model no.: ASL - 070

Description: Solid Lever on Rose

Dimensions: Length - 128mm
Spindle: 8mm x 8mm Straight Spindle Standard
Round Rose: Ø54mm x 8mm

Finish: Satin Stainless Steel - US32D



Solid Stainless
Steel Lever Handle

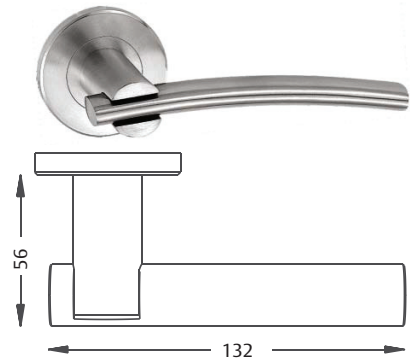
ASL - 080

Model no.: ASL - 080

Description: Solid Lever on Rose

Dimensions: Length - 125mm
Spindle: 8mm x 8mm Straight Spindle Standard
Round Rose: Ø54mm x 8mm

Finish: Satin Stainless Steel - US32D



Solid Stainless
Steel Lever Handle

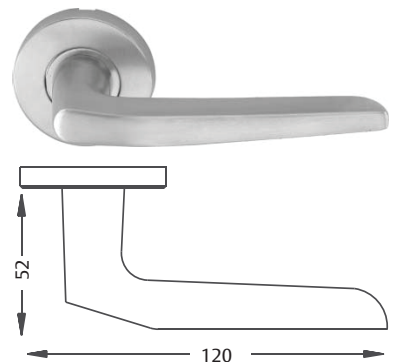
ASL - 090

Model no.: ASL - 090

Description: Solid Lever on Rose

Dimensions: Length - 128mm
Spindle: 8mm x 8mm Straight Spindle Standard
Round Rose: Ø54mm x 8mm

Finish: Satin Stainless Steel - US32D



Lever Handles - Tubular Series

ASSA ABLOY

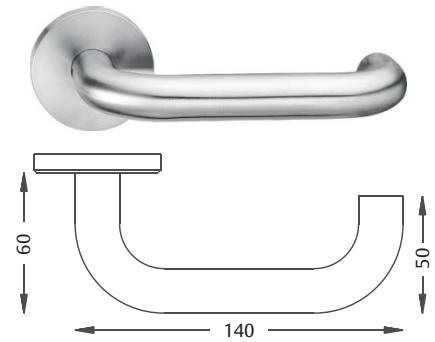
Tubular Stainless
Steel Lever Handle

ATL - 010

Model no.: ATL - 010

Description: Lever on Rose
Dimensions: Length - 130mm
Spindle: 8mm x 8mm Straight Spindle Standard
Round Rose: Ø54mm x 8mm

Finish: Satin Stainless Steel - US32D



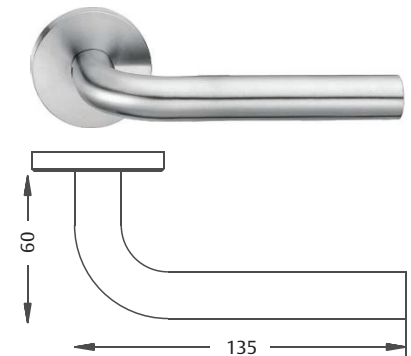
Tubular Stainless
Steel Lever Handle

ATL - 020

Model no.: ATL - 020

Description: Solid Lever on Rose
Dimensions: Length - 133mm
Spindle: 8mm x 8mm Straight Spindle Standard
Round Rose: Ø54mm x 8mm

Finish: Satin Stainless Steel - US32D



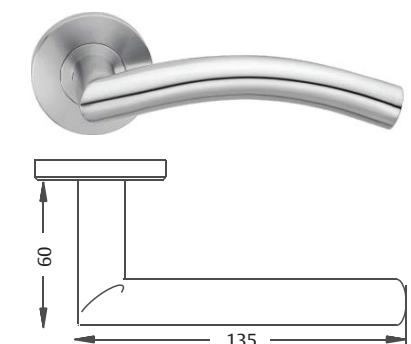
Tubular Stainless
Steel Lever Handle

ATL - 030

Model no.: ATL - 030

Description: Lever on Rose
Dimensions: Length - 133mm
Spindle: 8mm x 8mm Straight Spindle Standard
Round Rose: Ø54mm x 8mm

Finish: Satin Stainless Steel - US32D



Lever Handles - Tubular Series

ASSA ABLOY

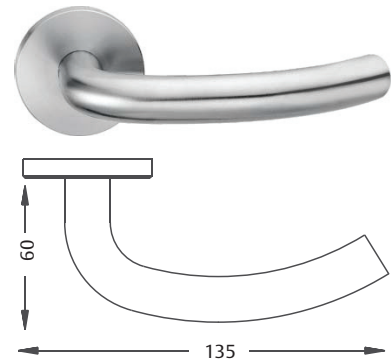
Tubular Stainless Steel Lever Handle

ATL - 040

Model no.: ATL - 040

Description: Lever on Rose
Dimensions: Length - 133mm
Spindle: 8mm x 8mm Straight Spindle Standard
Round Rose: Ø54mm x 8mm

Finish: Satin Stainless Steel - US32D



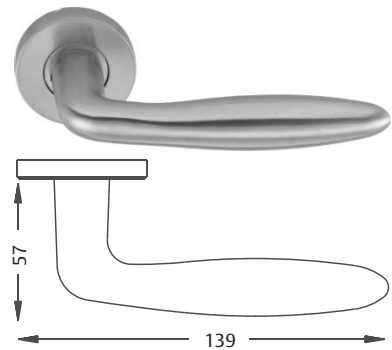
Tubular Stainless Steel Lever Handle

ATL - 050

Model no.: ATL - 050

Description: Lever on Rose
Dimensions: Length - 125mm
Spindle: 8mm x 8mm Straight Spindle Standard
Round Rose: Ø54mm x 8mm

Finish: Satin Stainless Steel - US32D



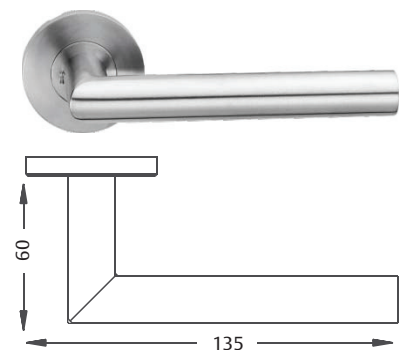
Tubular Stainless Steel Lever Handle

ATL - 060

Model no.: ATL - 060

Description: Lever on Rose
Dimensions: Length - 125mm
Spindle: 8mm x 8mm Straight Spindle Standard
Round Rose: Ø54mm x 8mm

Finish: Satin Stainless Steel - US32D



Lever Handles - Tubular Series

ASSA ABLOY

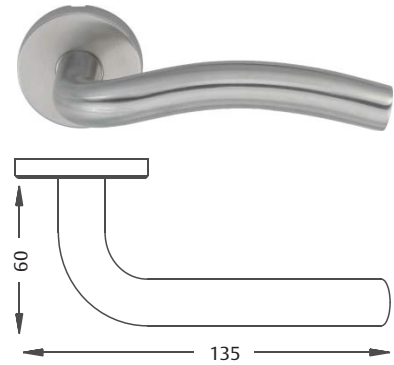
Tubular Stainless Steel Lever Handle

ATL - 070

Model no.: ATL - 070

Description: Lever on Rose
Dimensions: Length - 128mm
Spindle: 8mm x 8mm Straight Spindle Standard
Round Rose: Ø54mm x 8mm

Finish: Satin Stainless Steel - US32D



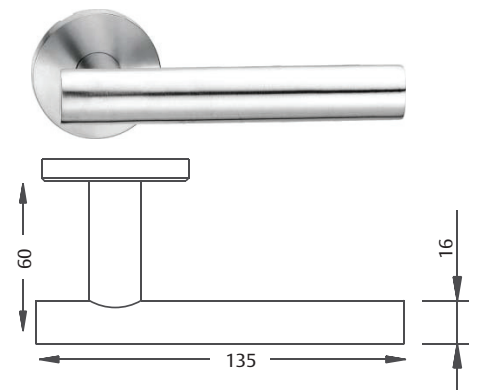
Tubular Stainless Steel Lever Handle

ATL - 080

Model no.: ATL - 080

Description: Lever on Rose
Dimensions: Length - 137mm
Spindle: 8mm x 8mm Straight Spindle Standard
Round Rose: Ø54mm x 8mm

Finish: Satin Stainless Steel - US32D



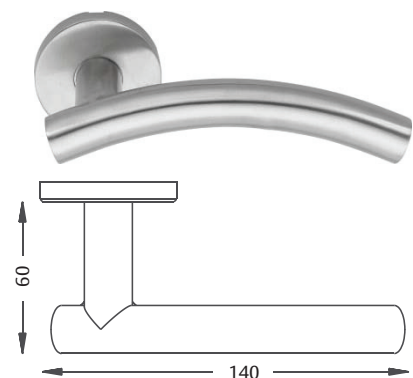
Tubular Stainless Steel Lever Handle

ATL - 090

Model no.: ATL - 090

Description: Lever on Rose
Dimensions: Length - 137mm
Spindle: 8mm x 8mm Straight Spindle Standard
Round Rose: Ø54mm x 8mm

Finish: Satin Stainless Steel - US32D



Lever Handles - Tubular Series

ASSA ABLOY

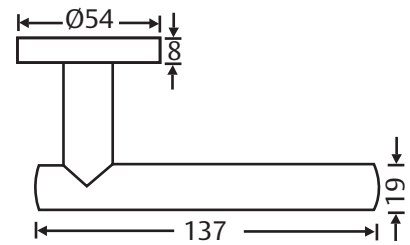
Tubular Stainless
Steel Lever Handle

ATL - 100

Model no.: ATL - 100

Description: Lever on Rose
Dimensions: Length - 137mm
Spindle: 8mm x 8mm Straight Spindle Standard
Round Rose: Ø54mm x 8mm

Finish: Satin Stainless Steel - US32D



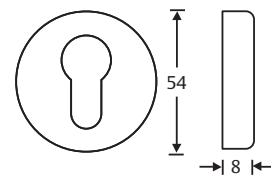
Stainless Steel
Escutcheon

AEP - 010

Model no.: AEP - 010

Description: Euro profile cylinder escutcheon
Dimensions: Diameter: 54mm, depth: 8mm

Finish: Satin Stainless Steel - US32D



ASSA ABLOY Narrow Profile Accessories

Narrow Profile Lever Handle

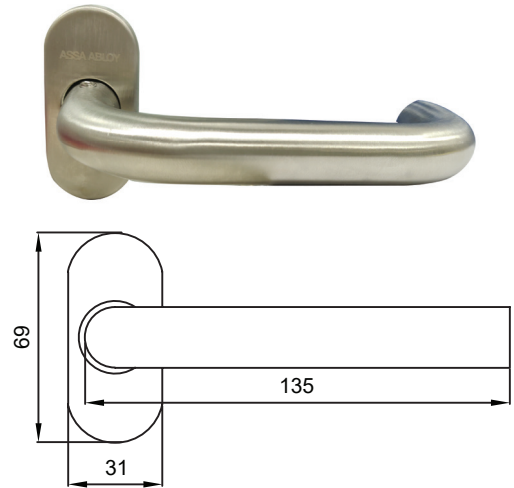
ATL - 201

Model no.: ATL - 201

Description: Lever handle with narrow profile rose

Dimensions:

Finish: Satin Stainless Steel - US32D



Narrow Profile Lever Handle

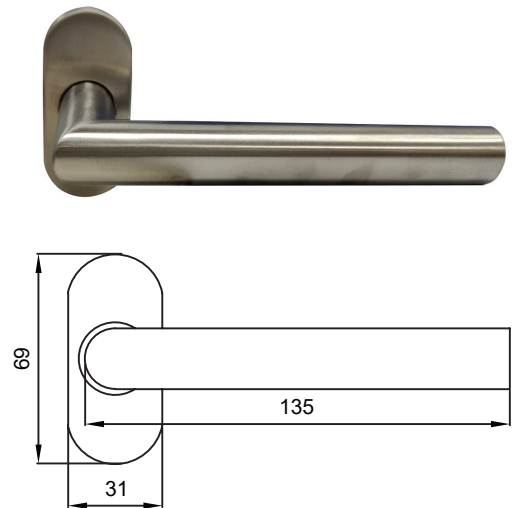
ATL - 202

Model no.: ATL - 202

Description: Lever handle with narrow profile rose

Dimensions:

Finish: Satin Stainless Steel - US32D



Narrow Profile Lever Handle

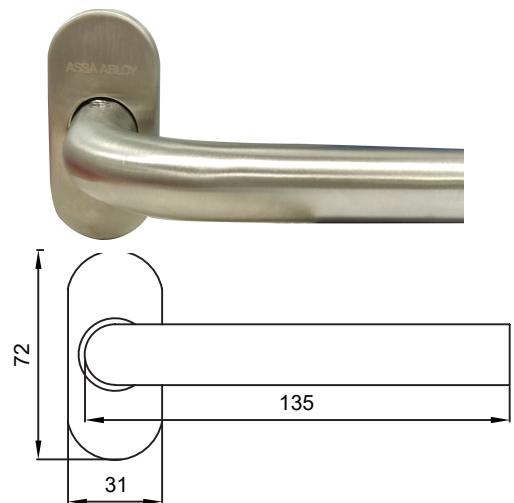
ATL - 203

Model no.: ATL - 203

Description: Lever handle with narrow profile rose

Dimensions:

Finish: Satin Stainless Steel - US32D



Narrow Profile Lever Handle

AEP - 050

Model no.: AEP - 050

Description: Narrow profile escutcheons

Dimensions:

Finish: Satin Stainless Steel - US32D

